

Bi-O Filius sauna heater

Wall heater with evaporator

Recommended for the family sauna

Outer casing: Anthracite pearl effect
 Inner casing: Bright polished stainless steel
 Evaporator filling quantity: approx. 2 l
 Stone filling: 8 kg inc.

Stainless steel herb bowl to accommodate herbs, essential oils and essences.

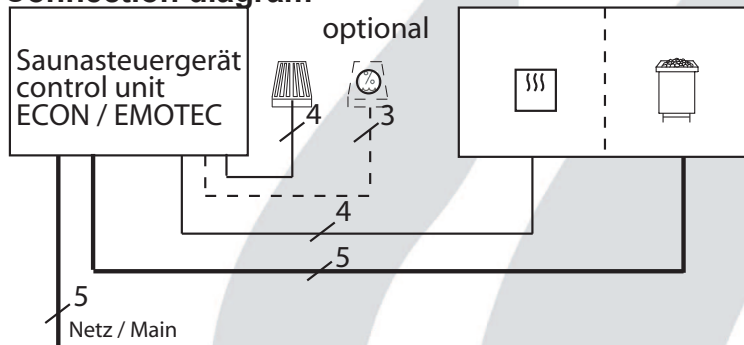
Integrated dry-running protection with acoustic low water signal.

Dimensions in mm Height: 750 with 180 mm ground clearance
 Width: 470
 Depth: 240

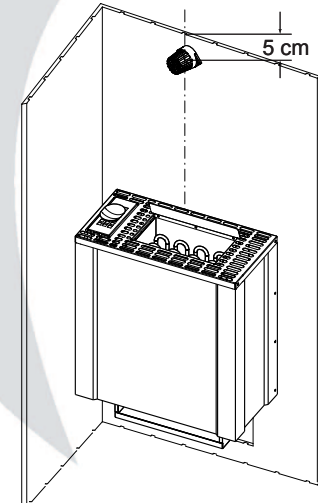


CE IP x4
 MADE IN GERMANY

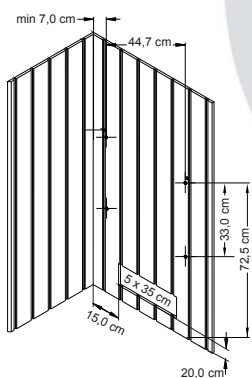
Connection diagram



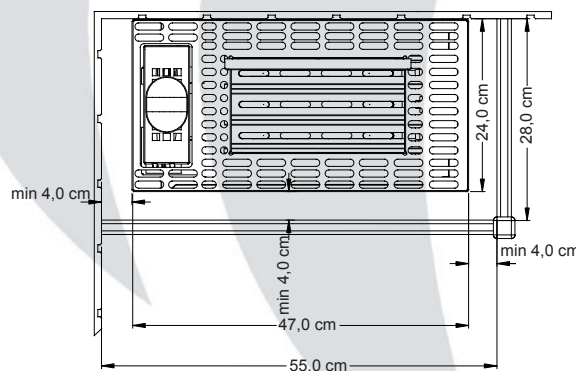
Sensor installation



Installation dimensions



Minimum clearances



Art.No.	Power acc. DIN	Evaporator power	Electr. connection	Fuse protection in A	for cabin volumes	Minimum dimension for ventilation and bleeding	Connection mains - control unit	Connection control unit - heater	Power switchgear required	to be used with the control units
94.5144	4,5 kW	1,0 kW	3N AC 50 Hz 400 V	3 x 16	4 - 6 m³	35 x 5 cm	5 x 2,5²	1pcs. 5 x 1,5² 1pcs. 4 x 1,5²	no	ECON H1 ECON H2 EMOTEC HCS9003 EMOTEC HCS9003 DB/DL/DLF EmoTouch II PB/AF/GF
94.5145	6,0 kW				6 - 8 m³					
94.5146	7,5 kW				7 - 10 m³					

All information on cable cross-sections are minimum cross-sections in mm² copper line.

Subject to technical changes